



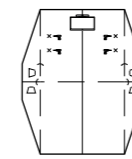
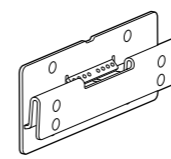
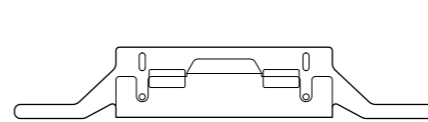
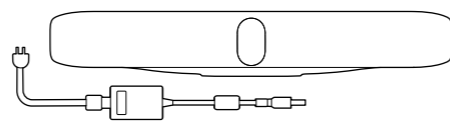
QUICK START

POLY STUDIO X70 WITH WALL MOUNT

www.poly.com/support/studio-x70



CONTENTS



(2) HDMI 1.83 m (6 ft)



LAN 4.57 m (15 ft)



(4) #8 x 7/8"
Plastic Anchor



(4) #8 x 1"
Screw



(4) M4 x 8
Screw

Template



www.poly.com/support/studio-x70

© 2022 Poly. All trademarks are the property of their respective owners.

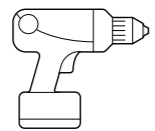
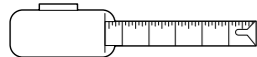
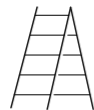
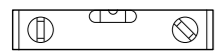


Recyclable where facilities exist

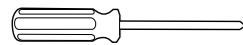
1725-87373-001D 04.22



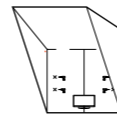
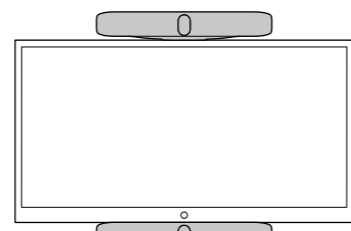
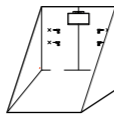
TOOLS



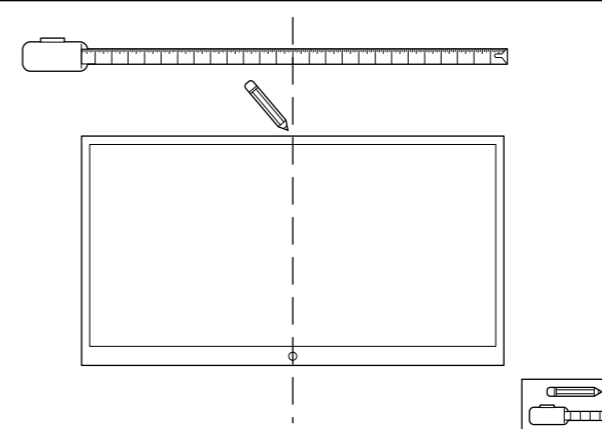
6 mm



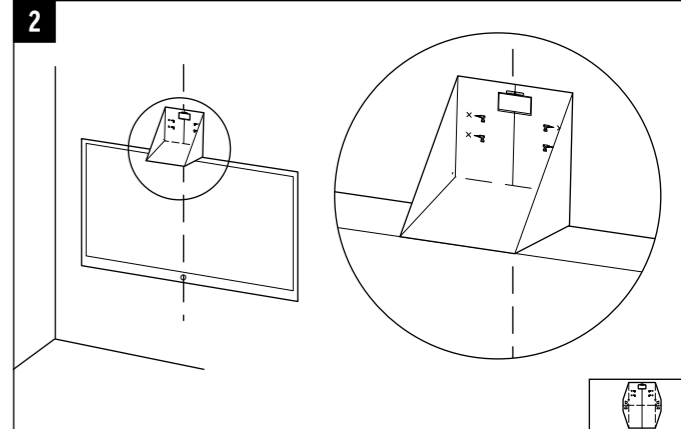
MOUNTING OPTIONS



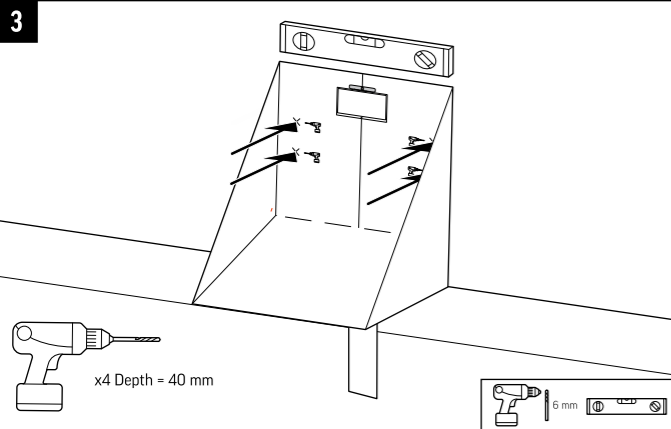
1



2

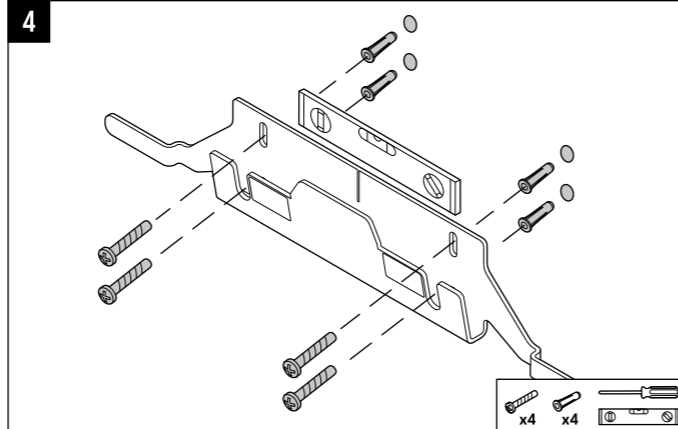


3



x4 Depth = 40 mm

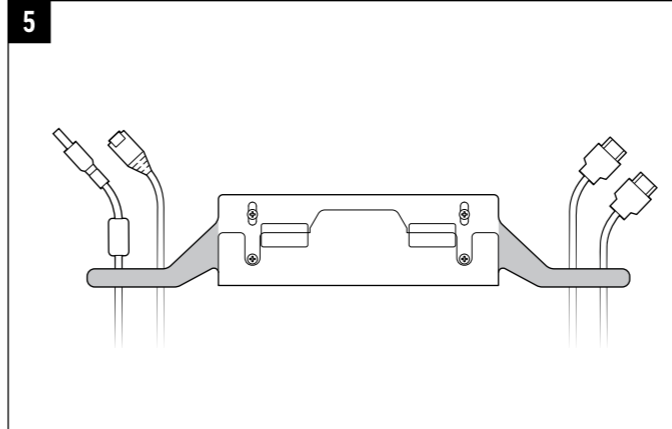
4



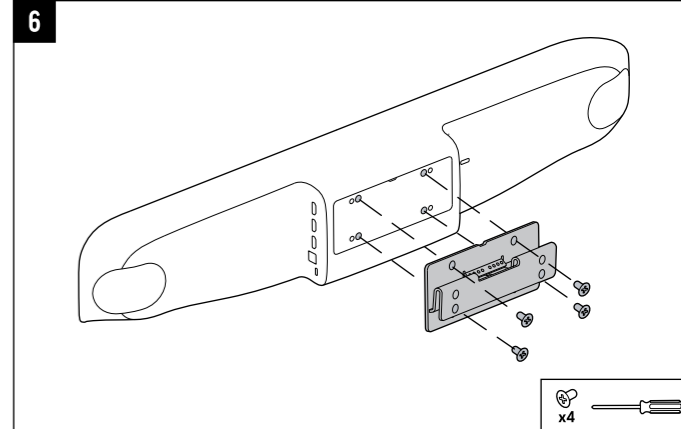
x4

x4

5

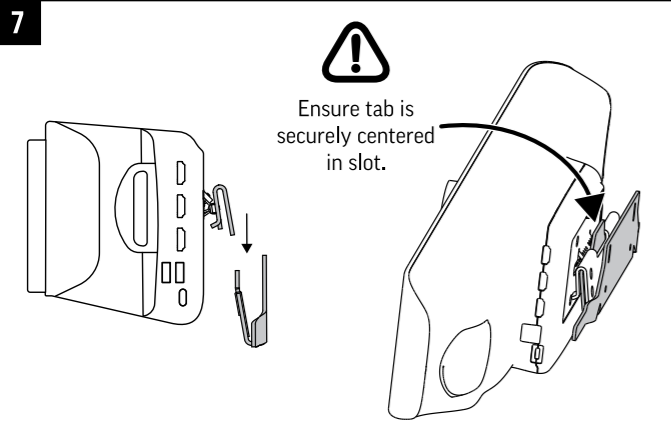


6



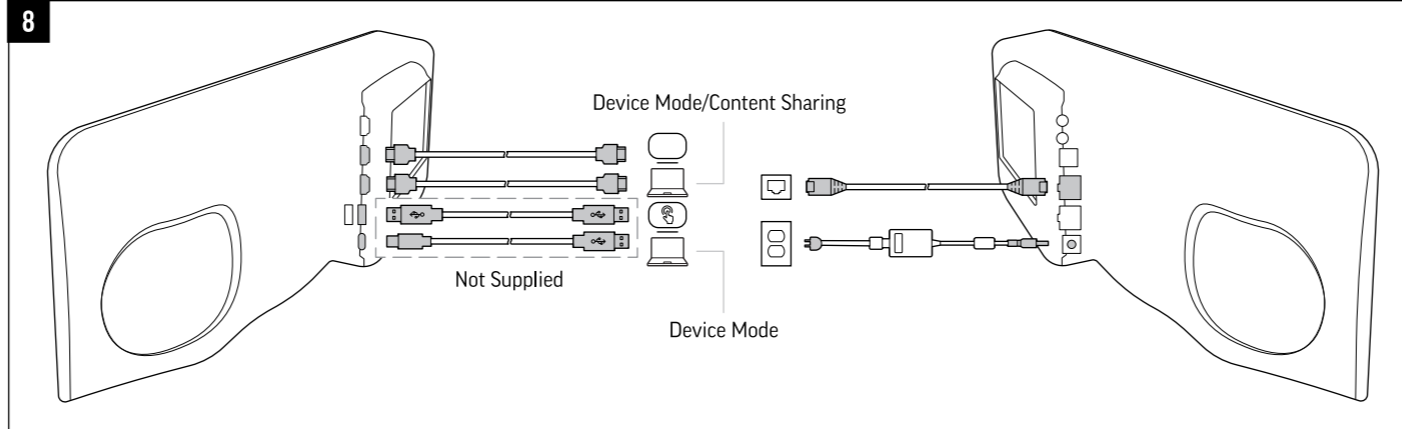
x4

7



Ensure tab is securely centered in slot.

8



Device Mode/Content Sharing

Not Supplied

Device Mode

9

